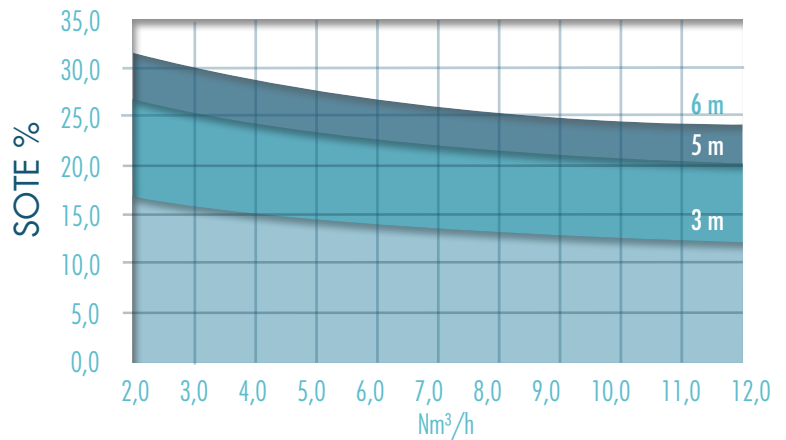


AirTech

TS63/ 750

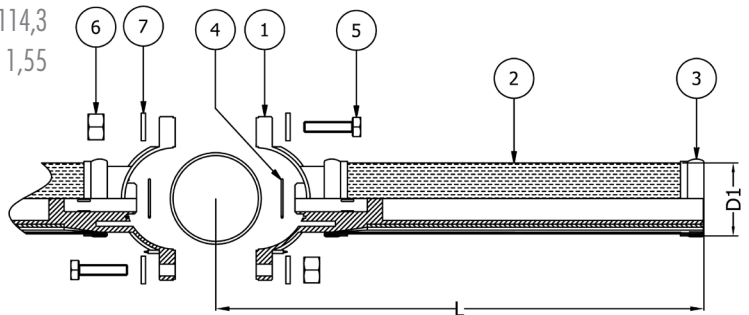
2" fine bubbles tubular diffuser with EPDM membrane - clamp connection



Cod.04204-04205-04206

Dimensions

Code	04204	04205	04206	1 Holder saddle	4 O-R
D 1 [mm]	63 (2")	63 (2")	63 (2")	2 Membrane	5 Screw M8x45 (A4)
Total length [mm]	945	955	957	3 Clamp (A2)	6 Self-locking nut M8 (A4)
Perforated length [mm]	750	750	750		7 Washer M8 (A4)
Threaded connection	Saddle D90	Saddle D110	Saddle D114,3		
Weight [Kg]	1,55	1,55	1,55		



Performance

Code	04204-04205-04206
Minimum airflow [Nm³/h]	1,5
Nominal airflow [Nm³/h]	6,0
Maximum airflow [Nm³/h]	15,0
Design airflow range [Nm³/h]	3,0-9,0
* Head losses [cm w.c.]	54

* Head losses are calculated at nominal airflow and 4m submergence

Materials

Code	04204-04205-04206
Membrane	EPDM
Holder	PP
Connector/saddle	PPGF 30%

Membrane

Code	04201-04201-04203
Number of slits	18.800
Perforation [mm]	1,25-2,25
Active surface [m²]	0,135
Average thickness [mm]	1,7
Tensile strength [Kg/cm²]	>60
Elongation at break [%]	400
Hardness [Shore A]	40
Plasticizer content [%]	35

NOTES

SOTE according to EN 12255-15
Tolerances on the thickness $\pm 0,2$ mm
Tensile strenght according to ISO 37 type 1
Elongation at break ISO 37 type 1